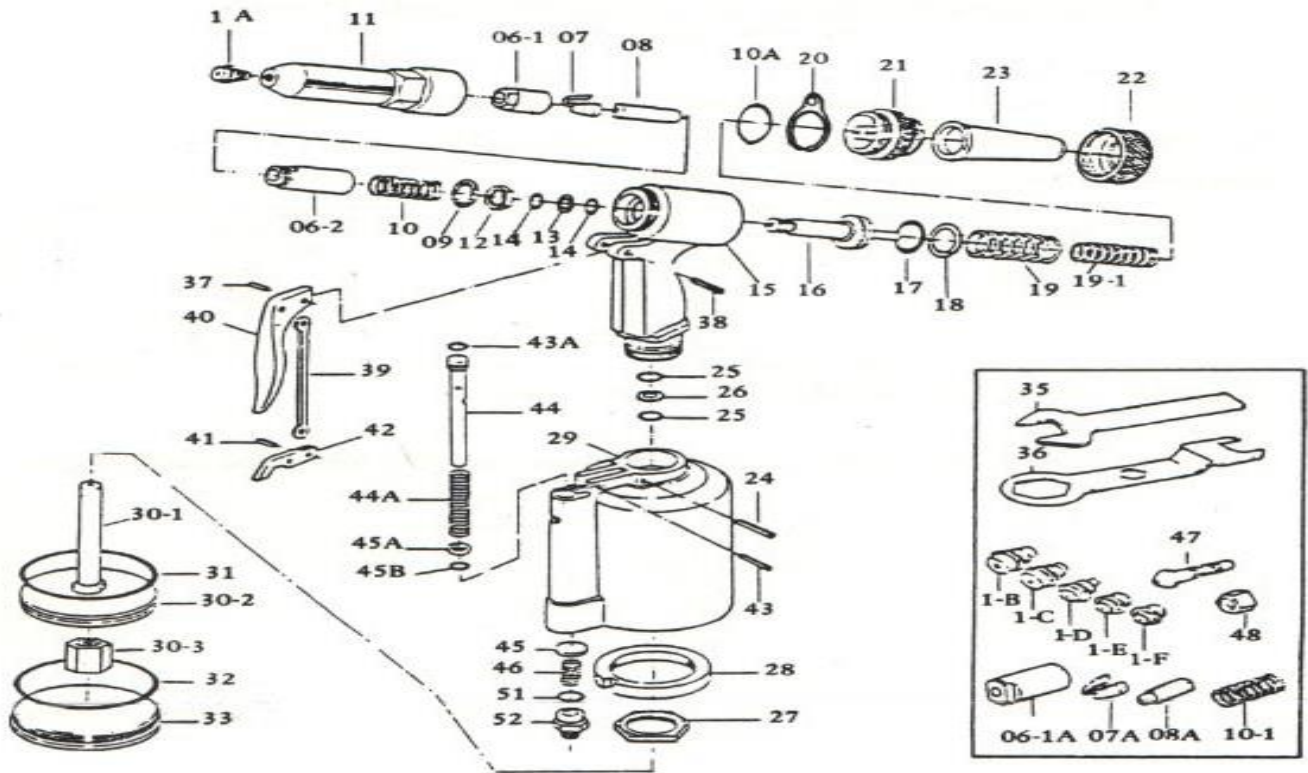




AHR-103 1/4" Air Riveter



Parts No.	Description	Parts No.	Description
103-1A	Nosepiece(1/4")	103-25	Back Up O Ring
103-1B	Nosepiece(7/32")	103-26	Back Up Ring
103-1C	Nosepiece(3/16")	103-27	Frame Lock Nut
103-1D	Nosepiece(5/32")	103-28	Rubber Cushion
103-1E	Nosepiece(1/8")	103-29	Air Cylinder(Ø91X128.5mm)
103-1F	Nosepiece(3/32")	103-30-1	Air Piston Stem(Ø16x130mm)
103-06-1	Jaw Case Front Tart For(1/4",7/32",3/16")	103-30-2	Air Piston
103-06-1A	Jaw Case Front Tart For(5/32",1/8",3/32")	103-30-3	Air Piston Lock Nut
103-06-2	Jaw Case End Tart	103-31	Air Piston O Ring
103-07	Jaw For(1/4",7/32",3/16")12m/m	103-32	Cylinder O Ring
103-07A	Jaw For(5/32",1/8",3/32")8m/m	103-33	Cylinder Cap
103-08	Jaw Pusher For(1/4",7/32",3/16")	103-35	Spanner Gauge
103-08A	Jaw Pusher For(5/32",1/8",3/32")	103-36	Spanner
103-09	Case Washer Ring	103-37	Trigger Pin
103-10	Jaw Pusher Spring For (1/4",7/32",3/16")	103-38	Connector(Ø3x22mm)
103-10-1	Jaw Pusher Spring For (5/32",1/8",3/32")	103-39	Trigger Rod
103-10A	Frame Cap O Ring	103-40	Trigger
103-11	Frame Head	103-41	Connector
103-12	Case Lock Nut	103-42	Trigger Lever
103-13	Back Up Ring	103-43	Lever Pin(Ø3x18mm)
103-14	Back Up O Ring	103-43A	Valve Pusher O Ring
103-15	Frame	103-44	Valve Pusher (Ø12x99mm)
103-16	Oil Piston	103-44A	Valve Spring
103-17	Oil Piston O Ring	103-45	Valve
103-18	Back Up Ring	103-45A	Valve Collar
103-19	Return Spring Large	103-45B	Collar O Ring
103-19-1	Return Spring Small	103-46	Valve Spring(Bottom)
103-20	Hanging Clip	103-47	Inlet Bushing
103-21	Frame Cap	103-48	Inlet Bushing Nut
103-22	Frame Cap Nut	103-51	Valve Cap O Ring
103-23	Safety Cap	103-52	Valve Cap
103-24	Setting Serew Pin		